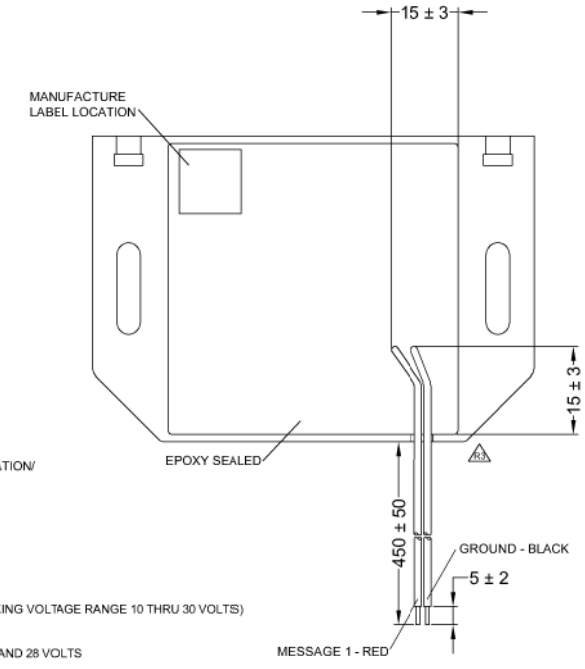
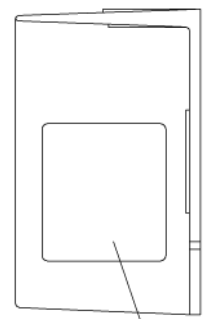
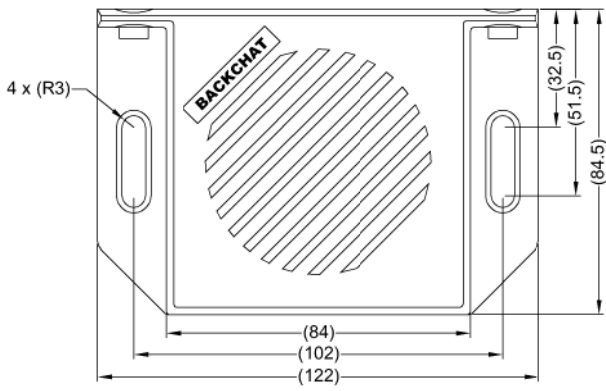
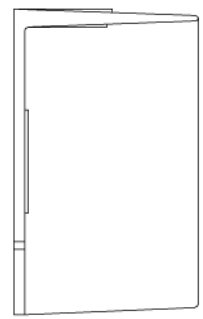
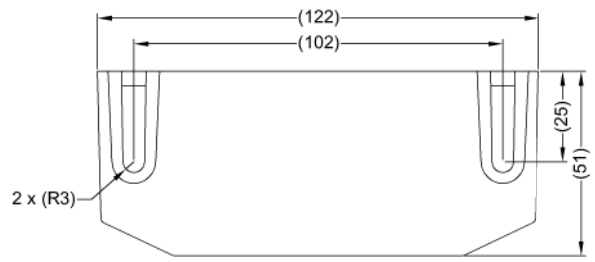


Revision Notes				
R1 - NOTES UPDATED TO INDICATE CORRECT LABEL DETAILS, STANDARDS UPDATED AS PER ECR CR-A253.				
APA: A.HEDDLE	Drawn:R.BATES	Checked:M.BUTLER	Approved:GPLITH	Date: 06/02/14
R2 - MESSAGE CODE CHANGED TO M1784. REF. CR-A350.				
APA: A.HEDDLE	Drawn:P.MISSEN	Checked:R.BATES	Approved:B.CHILDS	Date: 24/03/15
R3 - DIMENSION ADDED TO CONTROL LOCATION OF WIRE EXIT FROM EPOXY SEAL REF: CR-A704				
APA: A.HEDDLE	Drawn:A.FOSTER	Checked:W.BEAZLEY	Approved:B.CHILDS	Date: 22/08/19



SPECIFICATION

RATED VOLTAGE: 12 AND 24 VOLTS DIRECT CURRENT (WORKING VOLTAGE RANGE 10 THRU 30 VOLTS)
 RATED CURRENT: 0.5 AMPERES OR LESS
 SOUND PRESSURE: 85±4 DECIBELS AT TEST VOLTAGE OF 14 AND 28 VOLTS
 CABLE THICKNESS: ALL CABLES 24/0.2MM
 ACTUAL MESSAGE(S): "SSH...SSH...CAUTION TRUCK TURNING LEFT"
 MESSAGE LIBRARY NUMBER(S): M1784
 VOICE/ACCENT: FEMALE
 LANGUAGE: ENGLISH

NOTES:

1. MATERIAL: ABS PLASTIC - ULTRA VIOLET STABILIZED
2. FINISH: BLACK
3. FOR PRODUCT LABEL REFER TO LATEST REVISION OF DRAWING BE-002749-XX-13.
4. FOR GIFTBOX LABEL REFER TO LATEST REVISION OF DRAWING 3E-002325-XX-13.
5. FOR MANUFACTURE LABEL REFER TO LATEST REVISION OF DRAWING BE-001990-XX-12.
6. 2 X M6 X25 BOLTS, 2 X M6 FLAT WASHER & 2 X M6 NUTS ARE SUPPLIED IN A PRESS SEAL BAG IN THE BOX.
7. POWER & MESSAGE CABLE LENGTHS ARE MEASURED FROM CABLE ENTRY POINT ON HOUSING.

PROPRIETARY NOTICE

THIS DESIGN AND TECHNICAL INFORMATION APPEARING ON THIS DRAWING IS THE PROPERTY OF BRIGADE ELECTRONICS, AND IS DISCLOSED IN CONFIDENCE. IT IS NOT TO BE COPIED, REPRODUCED, REVEALED TO OR EXPROPRIATED BY OTHERS, EITHER IN WHOLE OR IN PART WITHOUT THE EXPRESS WRITTEN CONSENT OF BRIGADE ELECTRONICS.



Assembly PI Approval A.HEDDLE	Approved by D.KERAI	Checked by J.NEWMAN	Drawn by M.BUTLER
Angle of Projection 	Units mm	Scale N/A	Released 05/03/12
Status RELEASED	Assembly Ref A1125		
Part No 1334	BE-001939-03-12		